

ISO 9001
KOHLER
 POWER SYSTEMS
 NATIONALLY REGISTERED



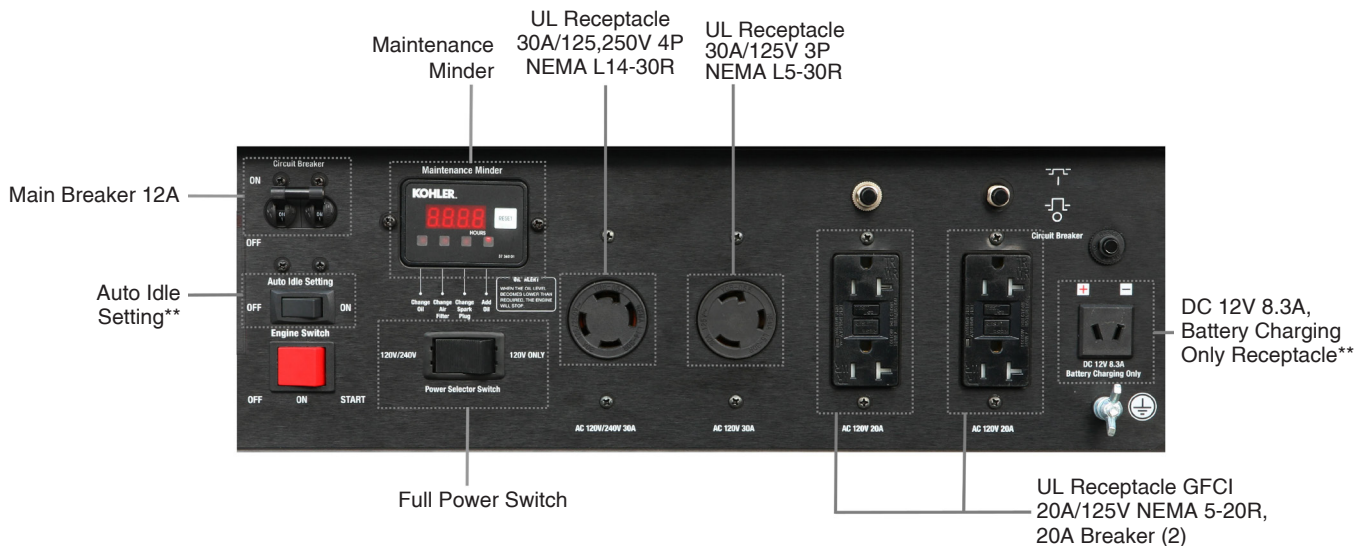
The KOHLER Advantage

- **Built to Last Since 1920**
 For over 90 years, hospitals, airports and military bases around the world have depended on KOHLER generators.
- **Premium Warranty**
 You get our premium 3-year limited warranty backed by a network of more than 10,000 dealers.
- **Custom Kits**
 Legs, handles, wheels, lifting kits - whatever you want, any way you want it.
- **Free Loaner Program***
 If your KOHLER generator ever goes down, just swing by one of our select dealers. We'll provide a free loaner unit for warranty repairs exceeding 24 hours.

Standard Features

- **Easy Refills**
 Accu-Fill™ feature provides safe, easy refilling - and less spilling - with angled fuel inlet.
- **Extra Engine Protection**
 Oil Sentry™ automatically shuts engine down in low-oil conditions.
- **OSHA-Compliant**
 When properly used, it's equipped to meet OSHA requirements.
- **Easy Reminders**
 Maintenance Minder displays hours of run time and lights up to remind you of oil/spark plug/filter changes.
- **GFCI Outlets**
 Ground-fault circuit interrupter detects unbalanced electrical current and safely shuts down power.
- **Safeguards Your Investment**
 Automatic voltage regulator keeps voltage consistent to avoid surges or other damage.
- **Fuel Saver****
 Auto-idle feature automatically set the engine to idle to save fuel.

Control Panel



* At participating dealers, based on availability.

** Featured only in model PRO3.7E

Specifications

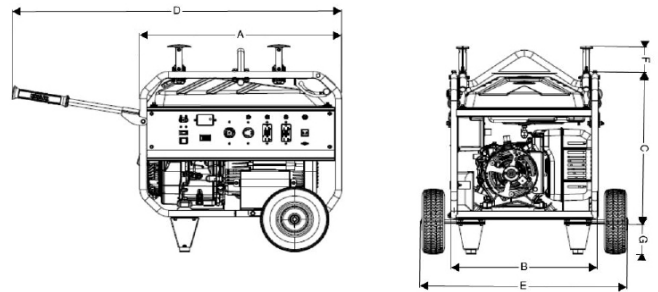
Model Name	PRO3.7	PRO3.7E
Model spec	PA-PRO37-3001 PA-PRO37-2001 PA-PRO37-1001	PA-PRO37E-3001 PA-PRO37-2001 PA-PRO37-1001
Compliance	3001 (EPA/CARB) 2001 (EPA) 1001 (EPA/CSA)	
AC rated output (running watts)	3,000	
AC maximum output (motor starting watts)	3,700	
AC voltage	120/240	
AC frequency (Hz)	57.5-63	
Total Harmonic Distortion	≤ 5%	
Rated VAC amperage	25/12.5	
Max rated amperage	30.8/15.4	
Engine displacement	208cc	
Fuel type	Gasoline	
Engine RPM	3450-3750	
Recommended oil	SAE30	
Automatic voltage regulation	Yes	
Choke location	Manual on Engine	
Fuel shut off	In Tank with Filter	
Starting method	Recoil Only	Recoil & Electric
Low oil shutdown method	Low Level	
Neutral	Neutral Bonded to Frame	
Start switch type	Toggle Type Off-On (Red)	Toggle Type Off-On-Start (Red)
Switch location	On Control Panel	
Fuel gauge	Yes	
Fuel tank capacity	3.4 gal/ 13 liters	
Run time @ 50% (hours)	9	
Warranty - Residential	3 Years	
Warranty - Commercial	3 Years	

Available Options

- Wheel Kit (Ø10 by 3 inch)
- Leg Kit
- Wheelbarrow Handle Kit
- Auto-Locking Hand Truck Handle Kit
- Lifting Kit
- Extension Cord Management Kit
- Isolator Kit

Generator Set Dimensions and Weights

A mm (in.):	615 (24.2)	Carton Length mm (in.):	630 (24.8)
B mm (in.):	488 (19.2)	Carton Width mm (in.):	500 (19.7)
C mm (in.):	487 (19.2)	Carton Height mm (in.):	523 (20.6)
D mm (in.):	1087 (42.8)	Shipping Weight lbs (kg):	
E mm (in.):	707 (27.8)	PRO3.7:	134 (61)
F mm (in.):	114 (4.5)	PRO3.7E:	146 (66)
G mm (in.):	140 (5.5)		
Unit Weight lbs (kg):			
PRO3.7:	126 (57)		
PRO3.7E:	138 (63)		



NOTE: Dimensions are provided for reference only and should not be used for planning installation. Contact your local distributor for more detailed information.

DISTRIBUTED BY:



© 2014 by Kohler Co. All rights reserved.